

SMT RM5 / ILP Inductor

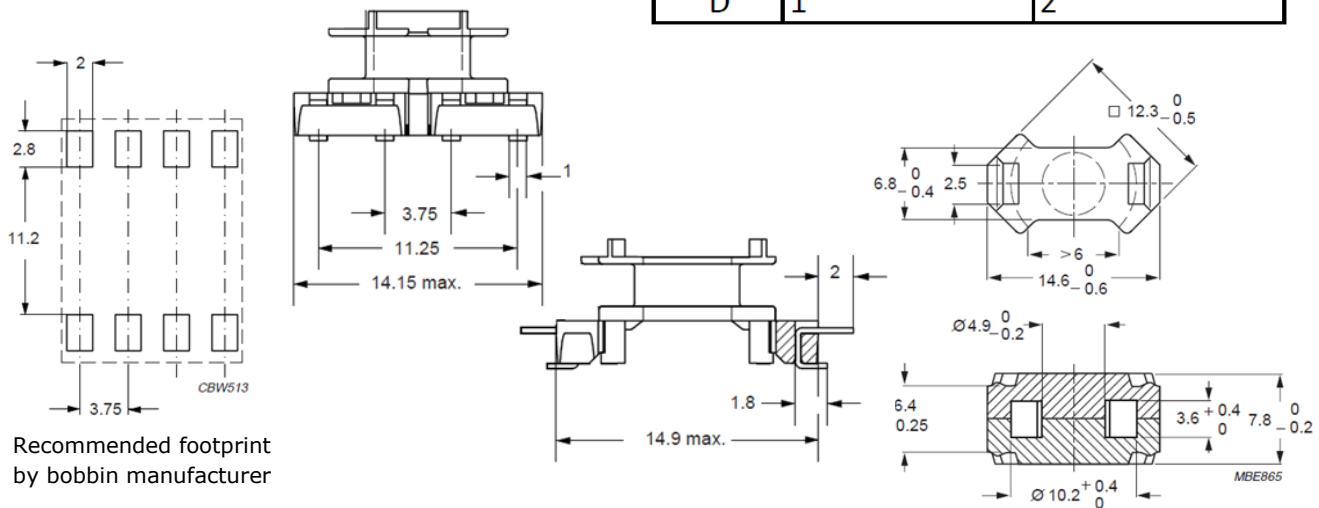
Series 1275

Features

- **Space qualified component**
- **Quality levels**
 - **X: Proto types**
 - **E: Engineering models**
 - **B: Flight models**
- **Small footprint**
- **Low weight**
- **Surface Mounted**
- **High Efficiency**
- **±7% inductance at room temperature**
- **±10% inductance from -55 to +125°C**
- **Competitive pricing**



Config	Pin A	Pin B
A	1,2,7,8	3,4,5,6
B	1,2,8	3,4,6
C	1,2	3,4
D	1	2



Description

The 1275 Series are a compact line of space qualified inductors. Flux space products are designed, manufactured and tested in accordance with MIL, ESCC and ECSS standards as applicable. Flux designs are made in accordance with our Qualified Generic Specification, Process Identification Document and Declared Materials List. Operators are certified by our in-house ESA Certified ECSS Trainer. Lot Acceptance Testing and Qualification are optional extra services. All shipments of products include test results and certificate.

The information contained herein is proprietary to Flux A/S. The dissemination, use or duplication of this information for any purpose other than that for which the information is intended is prohibited.



Specifications for 1275 Series

Measured at 25° C

General

Inductance	±7% at room temperature
	±10% from -55 to 125° C
Current	Wire max rms current according to ECSS-Q-ST-30-11C
Qualification	Space, in Progress

Core material	3F3
Weight	4 g
Derate	Recommended to derate current to 50%
Quality levels	X: Proto types
	E: Engineering models
	B: Flight models

Part Number	Config	L [µH]	Current [A _{RMS}]	Derate [A _{RMS}]	Current at 200mT [A]	DC Resistance at 20° C [mOhm]	Thermal resistance, Rth * [°K/W]
12750009	B	0,9	10,61	5,30	16,00	2,7	40
12750016	A	1,6	10,12	5,06	12,00	4,2	51
12750025	A	2,5	7,76	3,88	9,60	7,0	69
12750036	A	3,6	6,57	3,29	8,00	11,1	63
12750049	C	4,9	6,04	3,02	6,86	11,4	63
12750064	C	6,4	6,04	3,02	6,00	13,0	57
12750081	C	8,1	5,06	2,53	5,33	17,9	69
12750100	C	10,0	4,23	2,12	4,80	24,5	84
12750121	B	12,1	4,44	2,22	4,36	27,6	72
12750144	B	14,4	4,44	2,22	4,00	32,7	80
12750169	B	16,9	3,75	1,88	3,69	43,3	97
12750196	B	19,6	3,75	1,88	3,43	46,6	92
12750225	B	22,5	3,18	1,59	3,20	64,8	107
12750256	A	25,6	3,58	1,79	3,00	63,2	100
12750289	A	28,9	3,58	1,79	2,82	67,1	96
12750324	C	32,4	2,96	1,48	2,67	73,0	82
12750400	C	40,0	2,50	1,25	2,40	99,1	99
12750484	D	48,4	1,64	0,82	2,18	144	155
12750576	D	57,6	1,64	0,82	2,00	157	146
12750676	C	67,6	1,79	0,89	1,85	204	154
12750841	D	84,1	1,48	0,74	1,66	234	150
12751020	D	102	1,48	0,74	1,50	257	144
12751230	D	123	1,48	0,74	1,37	281	138
12751520	D	152	1,25	0,63	1,23	383	168
12751850	D	185	1,25	0,63	1,12	422	160
12752210	D	221	1,25	0,63	1,02	461	152
12752700	D	270	1,06	0,53	0,92	642	173
12753360	D	336	1,06	0,53	0,83	716	166
12753970	D	397	0,89	0,45	0,76	981	223
12754760	D	476	0,89	0,45	0,70	1074	216
12755630	D	563	0,76	0,38	0,64	1407	263
12756890	D	689	0,76	0,38	0,58	1600	240
12758280	D	828	0,58	0,29	0,53	2369	364
12759999	D	1000	0,58	0,29	0,48	2731	355

* Thermal resistance from powerloss in wire to pin

The information contained herein is proprietary to Flux A/S. The dissemination, use or duplication of this information for any purpose other than that for which the information is intended is prohibited.